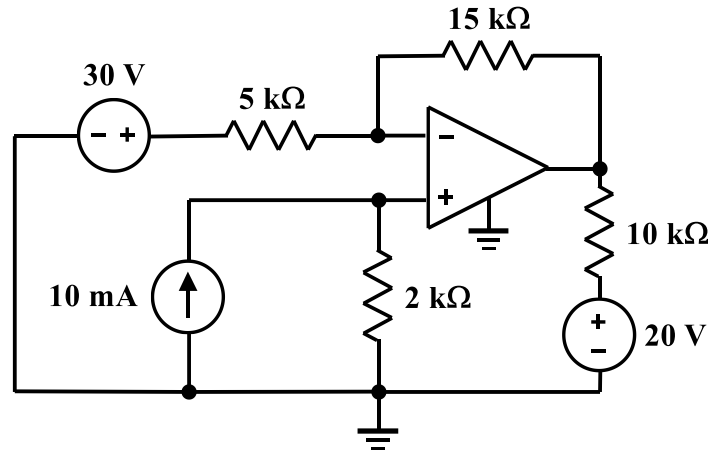


EE 2240
Homework Problem #042



The OpAmp is ideal.

(a) Determine the amount of power absorbed by the 10 kΩ resistor.

(b) Is the 20 V source *delivering power* or *absorbing power*? How much?